



**AMD Technologies, Inc.**  
 218 Bronwood Avenue  
 Los Angeles, CA 90049-3104

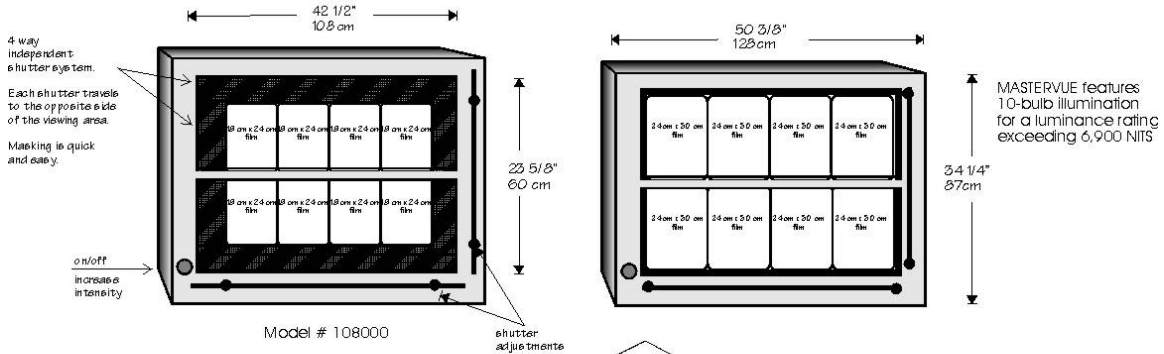
T 310.470.8900  
 T 800.423.3535  
 F 310.471.8900

W digitalams.com  
 W ams4illuminators.com  
 E info@digitalams.com

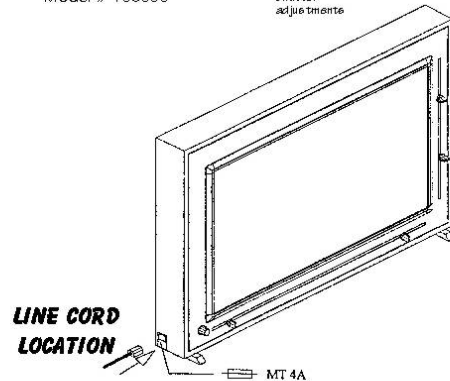
# Drawings and Specifications

PRODUCT: X-Ray Illuminator (Viewbox)  
 SERIES: MasterVue – Mammography X-Ray Illuminator  
 MODEL(S): 108000  
 MOUNTING: Wall mount

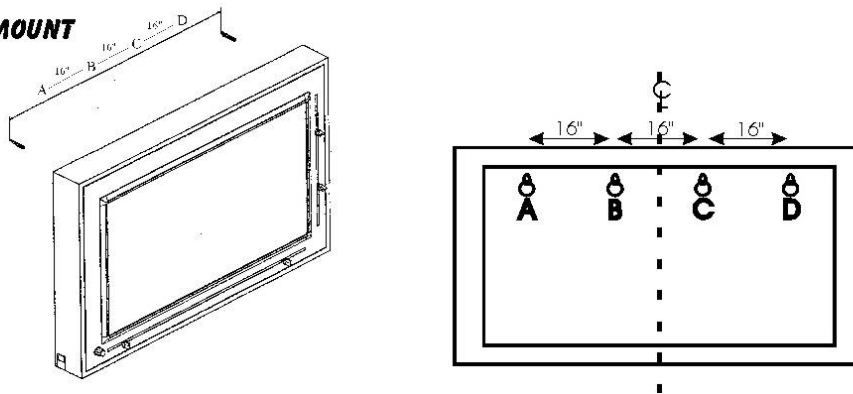
## GENERAL OPERATIONS



## DESK MOUNT



## WALL MOUNT



### General Specifications

#### Housing

Material: CRS  
 Construction: Formed steel housing, spot welded  
 Finish: Powder coat paint.  
 Color: Hospital white.

#### Electrical

Power Input: 120 Volt, 60Hz  
 Line Cord: 6 foot (183cm), 3-prong polarized  
 Ballast: Instant on, electronic

### DIMENSIONS AND ELECTRICAL SPECIFICATIONS

Model No.	Description	Width(A)	Height (B)	Depth (C)	ASW*	Amps	Watts
108000	Display up to 8 mammography sized films	50.375" (128.0cm)	34.25" (87.0cm)	4.125" (10.0cm)	75 lbs. (34.1 kgs)	1.0	280

#### Lighting

Eight – 30-watt fluorescent daylight lamps

#### Luminance

#### Switches

Location: Left side, bottom  
 Standard: Variable on/off