



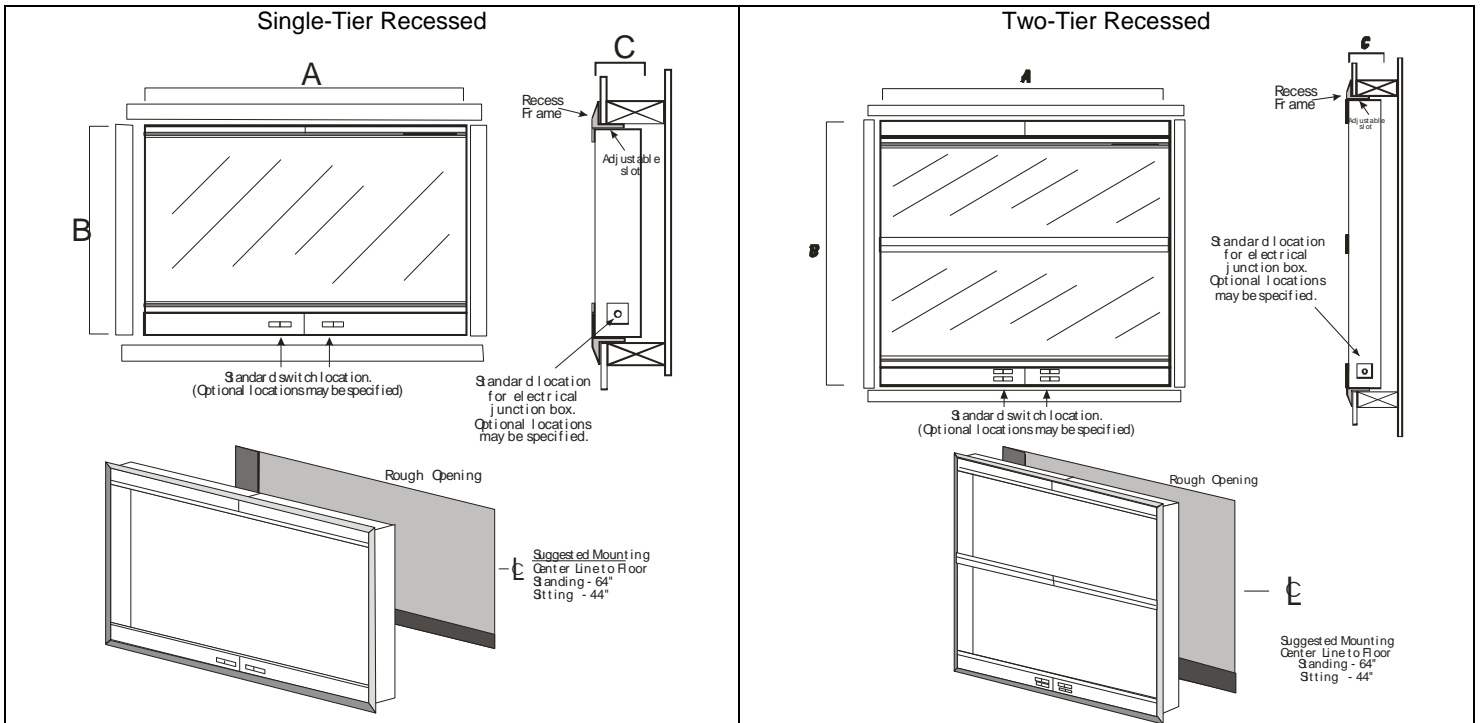
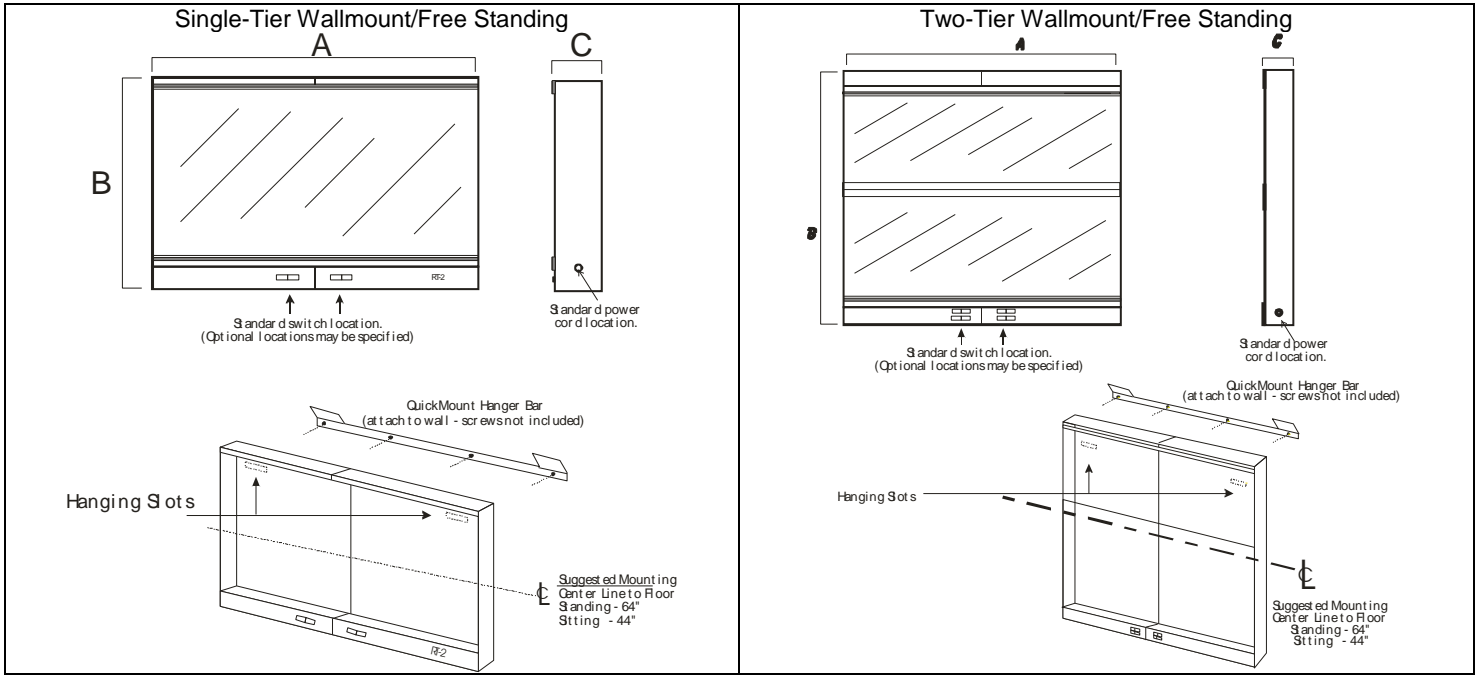
AMD Technologies, Inc.
 218 Bronwood Avenue
 Los Angeles, CA 90049-3104

T 310.470.8900
 T 800.423.3535
 F 310.471.8900

W digitalams.com
 W ams4illuminators.com
 E info@digitalams.com

Drawings and Specifications

PRODUCT: X-Ray Illuminators (Viewboxes)
SERIES: QuadVue
MODEL(S): All "900" Series
MOUNTING: Wallmount/Free-Standing, Recessed, Consolemount





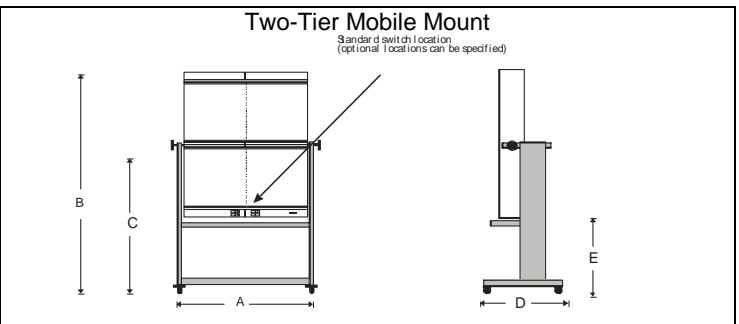
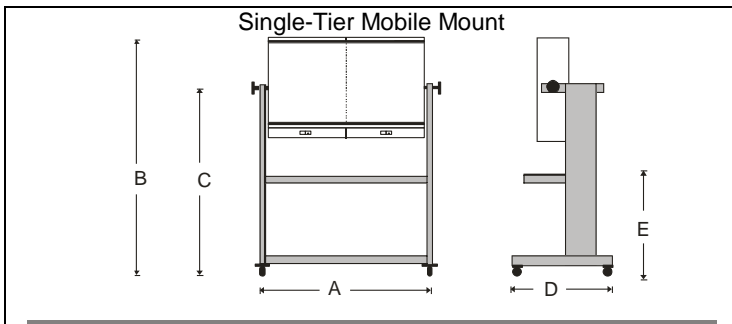
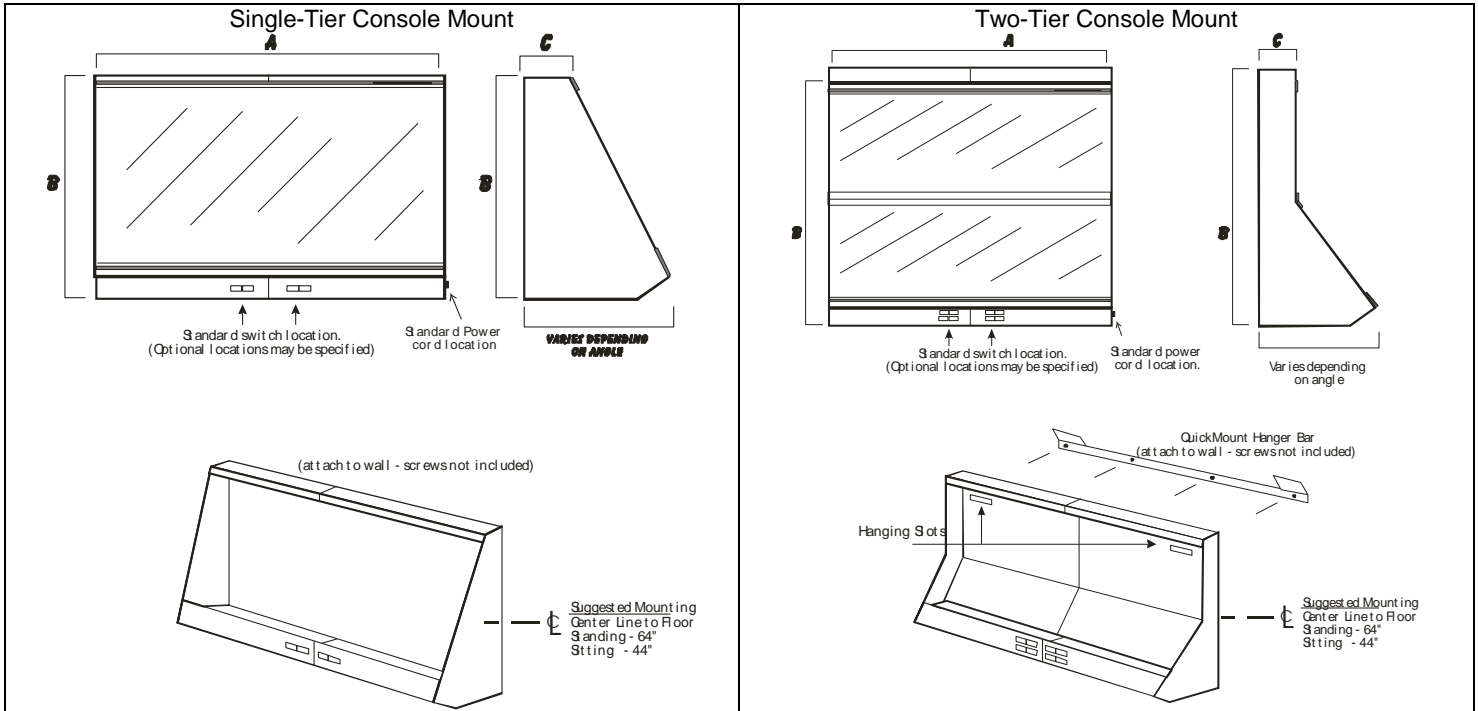
AMD Technologies, Inc.
218 Bronwood Avenue
Los Angeles, CA 90049-3104

T 310.470.8900
T 800.423.3535
F 310.471.8900

W digitalams.com
W ams4illuminators.com
E info@digitalams.com

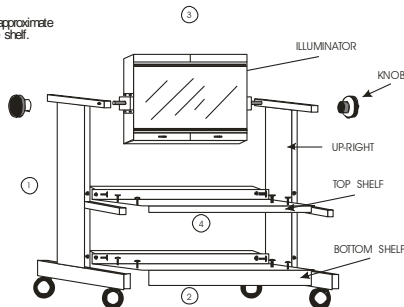
Drawings and Specifications

PRODUCT: X-Ray Illuminators (Viewboxes)
SERIES: QuadVue
MODEL(S): All "900" Series
MOUNTING: Wallmount/Free-Standing, Recessed, Consolemount



ASSEMBLY INSTRUCTIONS FOR THE AMS MOBILE MOUNT

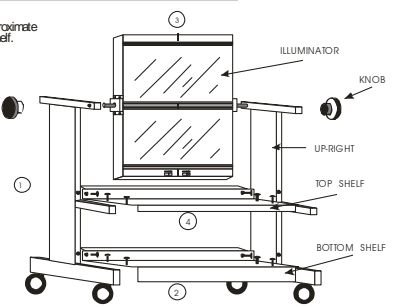
- Stand-up both mobile mount uprights, leaving an approximate distance between them, equal to the width of the shelf.
- Install bottom shelf, using six of the screws and nuts provided. Turn approximately 3 to 4 turns.
DO NOT FULLY TIGHTEN
- Install illuminator into top of uprights in holes provided. Place the washers between illuminator and upright. Place the large black knobs on the outside of each upright.
- Install top shelf with the six remaining screws and nuts. Fully tighten these screws and then go back and tighten screws on the bottom shelf.



If you have any questions or comments please call us at 800-423-3535.

ASSEMBLY INSTRUCTIONS FOR THE AMS MOBILE MOUNT

- Stand-up both mobile mount uprights, leaving an approximate distance between them, equal to the width of the shelf.
- Install bottom shelf, using six of the screws and nuts provided. Turn approximately 3 to 4 turns.
DO NOT FULLY TIGHTEN
- Install illuminator into top of uprights in holes provided. Place the washers between illuminator and upright. Place the large black knobs on the outside of each upright.
- Install top shelf with the six remaining screws and nuts. Fully tighten these screws and then go back and tighten screws on the bottom shelf.



If you have any questions or comments please call us at 800-423-3535.



AMD Technologies, Inc.
 218 Bronwood Avenue
 Los Angeles, CA 90049-3104

T 310.470.8900
 T 800.423.3535
 F 310.471.8900

W digitalams.com
 W ams4illuminators.com
 E info@digitalams.com

Drawings and Specifications

PRODUCT: X-Ray Illuminators (Viewboxes)
SERIES: QuadVue
MODEL(S): All "900" Series
MOUNTING: Wallmount/Free-Standing, Recessed, Consolemount

General Specifications

Housing

Material: CRS
 Construction: Formed steel housing, spot welded
 Finish: Powder coat paint.
 Color: Hospital white.

Electrical

Power Input: 120 Volt, 60Hz
 Line Cord: 6 foot (183cm), 3-prong polarized
 Ballast: Instant on, low-leak, low heat, 1/area. (Other voltages supplied.)

Lighting

(per 14" x 17" viewing area)
 Four, 15-watt fluorescent daylight lamps.

Luminance

Switches

Location: Clustered center, bottom
 Standard: Rocker type, single
 Optional: Film activated with 3 way rocker (on/off/FAS)

DIMENSIONS AND ELECTRICAL SPECIFICATIONS

<u>Model No.</u>	<u>Description</u>	<u>Width(A)</u>	<u>Height (B)</u>	<u>Depth (C)</u>	<u>ASW*</u>	<u>Amps</u>	<u>Watts</u>
Free-Standing/Wallmounts – Single-Tier							
901D	One-Bank, 14" x 17" viewing area	14" (35.6cm)	21" (53.3cm)	3.375" (8.6cm)	*approximate shipping weight 23 lbs. (10.5 kgs)	1.50	60
902D	Two-Bank, 14" x 17" viewing areas	28" (71.1cm)	21" (53.3cm)	3.375" (8.6cm)	46 lbs. (21.0 kgs)	3.00	120
903D	Three-Bank, 14" x 17" viewing areas	42" (106.7cm)	21" (53.3cm)	3.375" (8.6cm)	69 lbs. (30.5 kgs)	4.50	180
904D	Four-Bank, 14" x 17" viewing areas	56" (142.2cm)	21" (53.3cm)	3.375" (8.6cm)	90 lbs. (40.9 kgs)	6.00	2400
905D	Five-Bank, 14" x 17" viewing areas	70" (177.8cm)	21" (53.3cm)	3.375" (8.6cm)	113 lbs. (51.4 kgs)	7.50	300
906D	Six-Bank, 14" x 17" viewing areas	84" (213.4cm)	21" (53.3cm)	3.375" (8.6cm)	136 lbs. (61.8 kgs)	9.00	360
Free-Standing/Wallmounts – Two-Tier							
921D	One-over-One, 14" x 17" viewing area	14" (35.6cm)	42" (106.6cm)	3.375" (8.6cm)	46 lbs. (21.0 kgs)	3.00	120
922D	Two-over-Two, 14" x 17" viewing areas	28" (71.1cm)	42" (106.6cm)	3.375" (8.6cm)	92 lbs. (41.8 kgs)	6.00	240
923D	Three-over-Three, 14" x 17" viewing areas	42" (106.7cm)	42" (106.6cm)	3.375" (8.6cm)	138 lbs. (62.8 kgs)	9.00	360
924D	Four-over-Four, 14" x 17" viewing areas	56" (142.2cm)	42" (106.6cm)	3.375" (8.6cm)	180 lbs. (81.8 kgs)	12.00	480
925D	Five-over-Five, 14" x 17" viewing areas	70" (177.8cm)	42" (106.6cm)	3.375" (8.6cm)	226 lbs. (102.8 kgs)	15.00	600
926D	Six-over-Six, 14" x 17" viewing areas	84" (213.4cm)	42" (106.6cm)	3.375" (8.6cm)	272 lbs. (123.6 kgs)	18.00	720
Recessed – Single-Tier (Note: Width and Height measurements refer to suggested rough-in dimensions.)							
901R	One-Bank, 14" x 17" viewing area	14.25" (36.2cm)	21.5" (54.0cm)	3.375" (8.6cm)	23 lbs. (10.5 kgs)	1.50	60
902R	Two-Bank, 14" x 17" viewing areas	28.25" (71.7cm)	21.5" (54.0cm)	3.375" (8.6cm)	46 lbs. (21.0 kgs)	3.00	120
903R	Three-Bank, 14" x 17" viewing areas	42.25" (107.4cm)	21.5" (54.0cm)	3.375" (8.6cm)	69 lbs. (30.5 kgs)	4.50	180
904R	Four-Bank, 14" x 17" viewing areas	56.25" (142.9cm)	21.5" (54.0cm)	3.375" (8.6cm)	90 lbs. (40.9 kgs)	6.00	2400
905R	Five-Bank, 14" x 17" viewing areas	70.25" (178.5cm)	21.5" (54.0cm)	3.375" (8.6cm)	113 lbs. (51.4 kgs)	7.50	300
906R	Six-Bank, 14" x 17" viewing areas	84.25" (214.1cm)	21.5" (54.0cm)	3.375" (8.6cm)	136 lbs. (61.8 kgs)	9.00	360
Recessed – Two-Tier (Note: Width and Height measurements refer to suggested rough-in dimensions.)							
921R	One-over-One, 14" x 17" viewing area	14.25" (36.2cm)	42.25" (107.2cm)	3.375" (8.6cm)	46 lbs. (21.0 kgs)	3.00	120
922R	Two-over-Two, 14" x 17" viewing areas	28.25" (71.7cm)	42.25" (107.2cm)	3.375" (8.6cm)	92 lbs. (41.8 kgs)	6.00	240
923R	Three-over-Three, 14" x 17" viewing areas	42.25" (107.4cm)	42.25" (107.2cm)	3.375" (8.6cm)	138 lbs. (62.8 kgs)	9.00	360
924R	Four-over-Four, 14" x 17" viewing areas	56.25" (142.9cm)	42.25" (107.2cm)	3.375" (8.6cm)	180 lbs. (81.8 kgs)	12.00	480
925R	Five-over-Five, 14" x 17" viewing areas	70.25" (178.5cm)	42.25" (107.2cm)	3.375" (8.6cm)	226 lbs. (102.8 kgs)	15.00	600
926R	Six-over-Six, 14" x 17" viewing areas	84.25" (214.1cm)	42.25" (107.2cm)	3.375" (8.6cm)	272 lbs. (123.6 kgs)	18.00	720
Console Mounts – Single-Tier							
901CM	One-Bank, 14" x 17" viewing area	14.25" (36.2cm)	21.5" (54.0cm)	3.375" (8.6cm)	26 lbs. (11.5 kgs)	1.50	60
902CM	Two-Bank, 14" x 17" viewing areas	28.25" (71.7cm)	21.5" (54.0cm)	3.375" (8.6cm)	49 lbs. (22.0 kgs)	3.00	120
903CM	Three-Bank, 14" x 17" viewing areas	42.25" (107.4cm)	21.5" (54.0cm)	3.375" (8.6cm)	72 lbs. (31.5 kgs)	4.50	180
904CM	Four-Bank, 14" x 17" viewing areas	56.25" (142.9cm)	21.5" (54.0cm)	3.375" (8.6cm)	93 lbs. (41.9 kgs)	6.00	2400
905CM	Five-Bank, 14" x 17" viewing areas	70.25" (178.5cm)	21.5" (54.0cm)	3.375" (8.6cm)	116 lbs. (52.4 kgs)	7.50	300
906CM	Six-Bank, 14" x 17" viewing areas	84.25" (214.1cm)	21.5" (54.0cm)	3.375" (8.6cm)	139 lbs. (62.8 kgs)	9.00	360
Free-Standing/Wallmounts – Two-Tier							
921CM	One-over-One, 14" x 17" viewing area	14.25" (36.2cm)	42.25" (107.2cm)	3.375" (8.6cm)	52 lbs. (23.0 kgs)	3.00	120
922CM	Two-over-Two, 14" x 17" viewing areas	28.25" (71.7cm)	42.25" (107.2cm)	3.375" (8.6cm)	98 lbs. (44.0 kgs)	6.00	240
923CM	Three-over-Three, 14" x 17" viewing areas	42.25" (107.4cm)	42.25" (107.2cm)	3.375" (8.6cm)	144 lbs. (63.0 kgs)	9.00	360
924CM	Four-over-Four, 14" x 17" viewing areas	56.25" (142.9cm)	42.25" (107.2cm)	3.375" (8.6cm)	186 lbs. (82.8 kgs)	12.00	480
925CM	Five-over-Five, 14" x 17" viewing areas	70.25" (178.5cm)	42.25" (107.2cm)	3.375" (8.6cm)	232 lbs. (104.8 kgs)	15.00	600
926CM	Six-over-Six, 14" x 17" viewing areas	84.25" (214.1cm)	42.25" (107.2cm)	3.375" (8.6cm)	278 lbs. (125.6 kgs)	18.00	720
Mobile Mounts – Single-Tier							
901MM	One-Bank, 14" x 17" viewing area						
902MM	Two-Bank, 14" x 17" viewing areas						
903MM	Three-Bank, 14" x 17" viewing areas						
904MM	Four-Bank, 14" x 17" viewing areas						
Mobile Mounts – Two-Tier							
921MM	One-over-One, 14" x 17" viewing area						
922MM	Two-over-Two, 14" x 17" viewing areas						
923MM	Three-over-Three, 14" x 17" viewing areas						
924MM	Four-over-Four, 14" x 17" viewing areas						



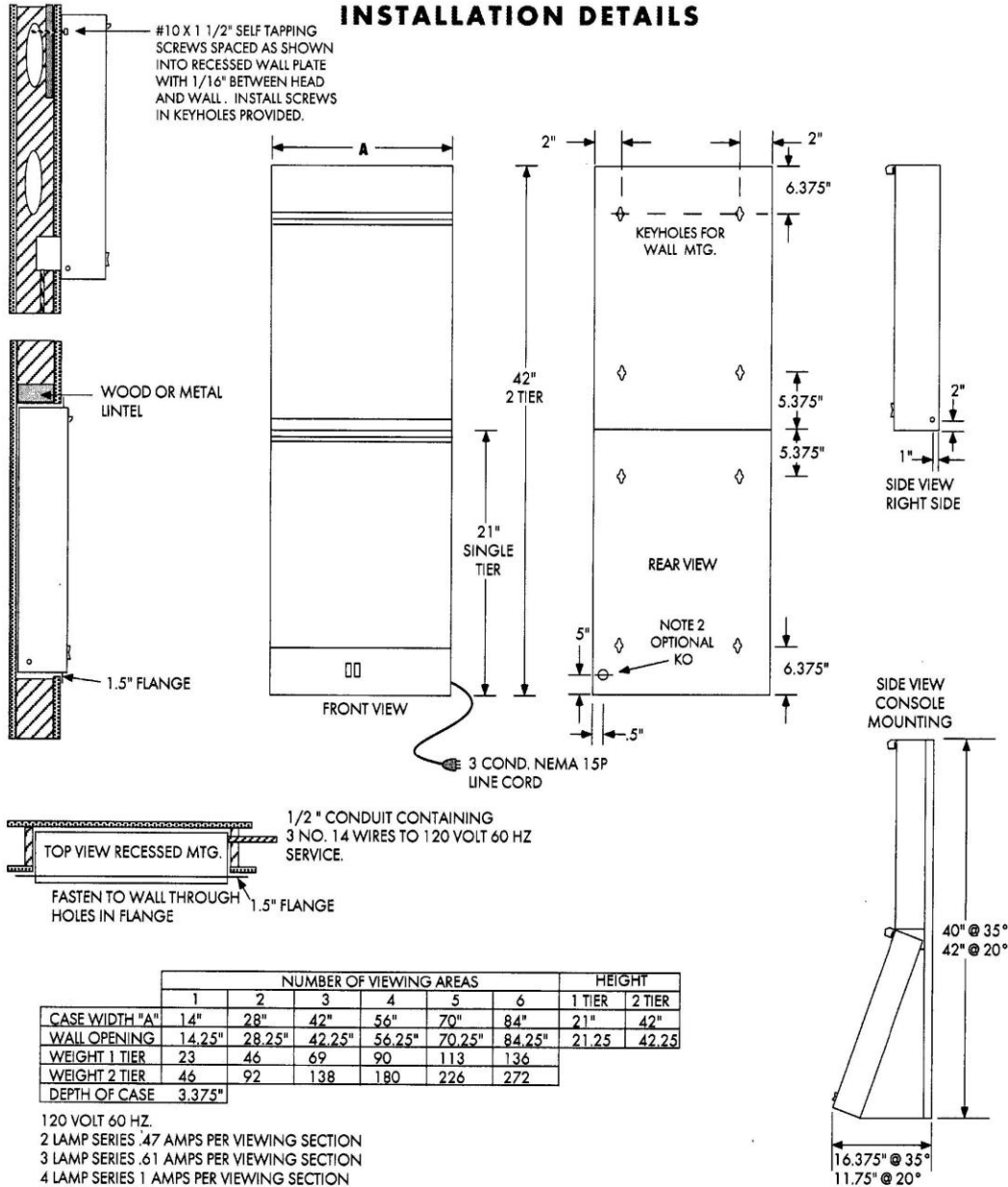
AMD Technologies, Inc.
 218 Bronwood Avenue
 Los Angeles, CA 90049-3104

T 310.470.8900
 T 800.423.3535
 F 310.471.8900

W digitalams.com
 W ams4illuminators.com
 E info@digitalams.com

Drawings and Specifications

PRODUCT: X-Ray Illuminators (Viewboxes)
SERIES: QuadVue
MODEL(S): All "900" Series
MOUNTING: Wallmount/Free-Standing, Recessed, Consolemount



- NOTE:**
- FOR SAFETY AND PROPER OPERATION UNITS MUST BE ELECTRICALLY GROUNDED.
 - PREFERRED LOCATION FOR OPTIONAL JUNCTION BOX. PIGTAILS FROM REAR OF ILLUMINATOR PROVIDED ON REQUEST.
- CALL OUR CUSTOM DESIGN ENGINEERING DEPT. FOR HELP WITH ROOM LAYOUTS AND CUSTOM CONFIGURATIONS.



AMD Technologies, Inc.
218 Bronwood Avenue
Los Angeles, CA 90049-3104

T 310.470.8900
T 800.423.3535
F 310.471.8900

W digitalams.com
W ams4illuminators.com
E info@digitalams.com

Drawings and Specifications

PRODUCT: X-Ray Illuminators (Viewboxes)
SERIES: QuadVue
MODEL(S): All "900" Series
MOUNTING: Wallmount/Free-Standing, Recessed, Consolemount

Installation Guide:

Safety Precautions: Read, understand and follow all instructions and warnings in this instruction manual as well as those provided with the tools you will use to assemble the unit, as well as the accessories you intend use with the unit.

Check for damaged parts. Before assembly, carefully check all parts for possible damage. A part that is damaged should be properly repaired or replaced.

Consider work area environment. Do not use power tools in damp or wet locations. Keep work areas well lit. Do not expose power tools to rain. Do not use tools or chargers in presence of flammable liquids or gases.

Use the right tool. Do not use tools or accessories for purposes not intended. Consult the tool or accessory manual when necessary.

Use safety glasses whenever operating any tool. Always wear eye protection that meets ANSI Z87.1 requirements, plus a face shield wherever possible. Tools must always be properly guarded.

Secure work. Use suitable means to secure parts that may be heavy when assembling until the unit has been fully assembled.

Replacement parts. Replacement parts are available from AMD Technologies, Inc. Customer Service.

Installation:

1. Check that all switches are in the OFF position before connecting to existing wiring or plugging into a grounded outlet.
2. To mount Wall Mount units to wall secure to the wall in the desired location using screws and hardware appropriate to the wall construction and weight of the illuminator. The distance between the screws must correspond with the key hole openings on the back of the illuminator (see specs page). Leave 1/16" space between the head of the screw and the wall. Carefully hang illuminator on screws.

Care and Maintenance:

For maximum durability do not use corrosive or abrasive materials when cleaning. To keep Plexiglass clean, use an anti-static cleaner such as PlastiKleen with a soft, lint-free cloth.

Replacing Bulbs: To replace bulbs, disconnect unit from power source. Carefully unscrew and remove the gravity grip film holder, and lift out the Plexiglass panel. Remove the old bulbs and install new ones, then carefully replace the Plexiglass and gravity grip. With average usage, bulbs should be replaced annually. Since bulb color can vary slightly between lots, should a bulb blow out, all bulbs in the illuminator should be replaced at the same time.

NOTE: Fluorescent bulbs contain Mercury (Hg). Dispose according to local, state and federal law. See www.lamprecycle.org for more information.

Troubleshooting

If a section does not light up when plugged in and turned on:

1. Switch bulbs with a section that is working.
2. Switch ballasts with a section that is working.
3. Check wiring to be sure everything is connected properly.

Always be sure to disconnect illuminator from power source prior to opening.